

Diaphragm Pump 21 Series

Features & Benefits

- Compact design
- Heavy-duty demand switch
- Can run dry
- Quiet operation
- Industry standard mount pattern

Typical Applications

- Marine/RV
- Water Treatment/Ro
- Beverage/Food Service
- Distillation Equipment
- Agricultural Spraying
- General Industrial
- Automotive

PUMP

- Type**
2 Chamber positive displacement diaphragm pump, self priming, capable of being run dry
- Max Recommended Temperature**
110°F (43°C) Max.
- Priming Capabilities**
4 feet (1.2 m) suction lift
- Max Pressure**
40 PSI (2.8bar)
- Inlet/Outlet Ports**
3/8" hose barb
- Weight**
1.25 lbs (0.57 kg)

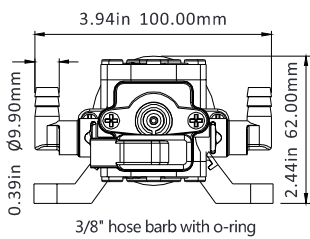
MOTOR

- Duty Cycle**
Intermittent
- Leads**
18 AWG, 13.78" long with 2-Pin connector/Leads
- Voltage**
12v/24v

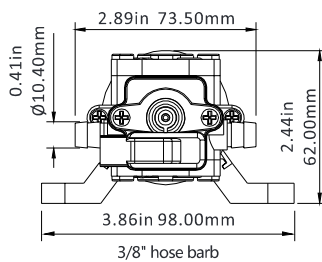
O-Ring Pump Head Standard Accessories:



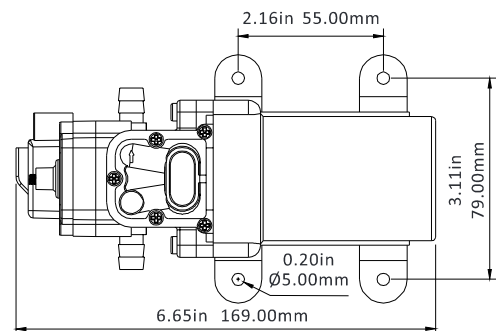
Other optional accessories please refer to page 43



O-Ring Pump



3/8" hose barb



STANDARD PUMP CONFIGURATIONS

Model	Voltage	GPM/LPM	Switch	Amps	PSI/BAR	Valves	Diaphragm	Ports	Wire Connections
SFDP1-010-040-21	12V	1.0/3.8	Demand	4.0 MAX	40/2.8	EPDM	Santoprene	3/8" Barb	2-Pin/Leads
SFDP2-010-040-21	24V	1.0/3.8	Demand	2.0 MAX	40/2.8	EPDM	Santoprene	3/8" Barb	2-Pin/Leads
SFDP1-011-070-21	12V	1.1/4.0	Demand	4.0 MAX	70/4.8	EPDM	Santoprene	3/8" Barb	2-Pin/Leads
SFDP1-012-035-21	12V	1.2/4.3	Demand	4.0 MAX	35/2.4	EPDM	Santoprene	3/8" Barb	2-Pin/Leads
SFDP2-012-035-21	24V	1.2/4.3	Demand	2.0 MAX	35/2.4	EPDM	Santoprene	3/8" Barb	2-Pin/Leads